

Figure 15.74 Problem 7. Filler.

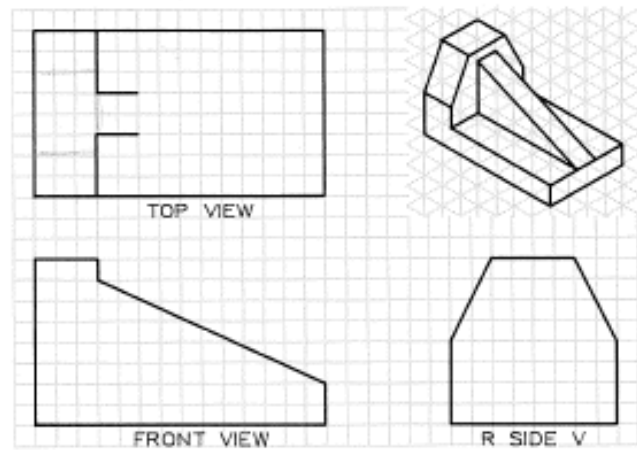


Figure 15.77 Problem 10. Angle block.

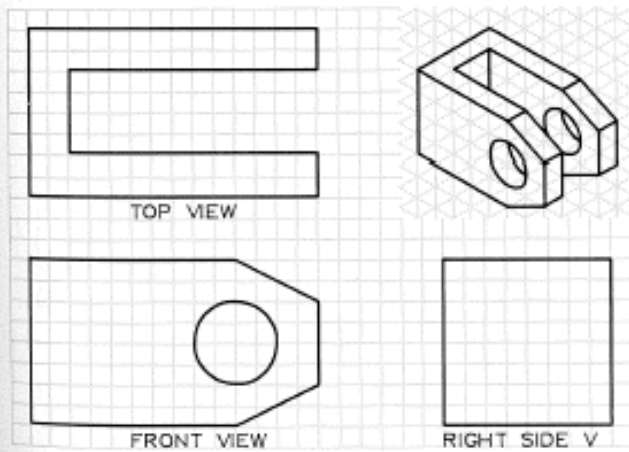


Figure 15.75 Problem 8. Clevis.

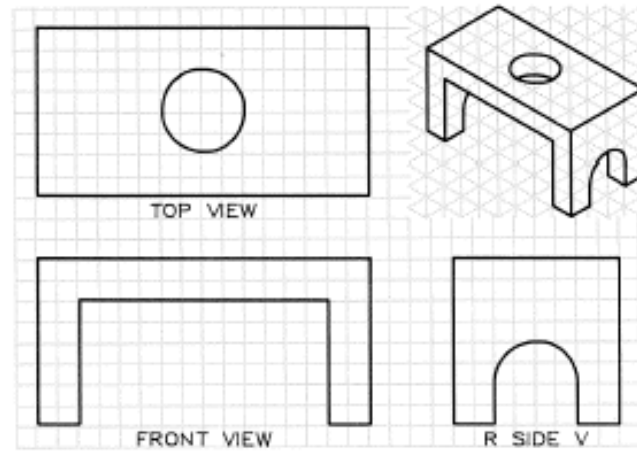


Figure 15.78 Problem 11. Fixture guide.

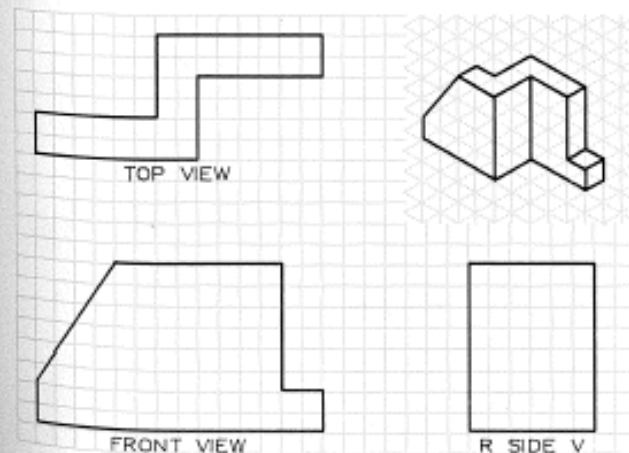


Figure 15.76 Problem 9. Corner box.

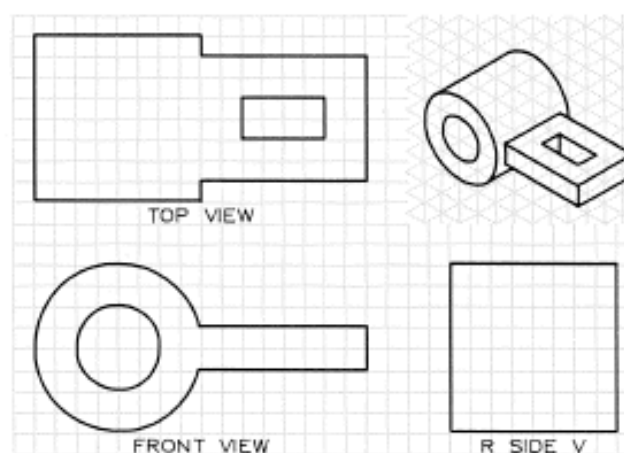
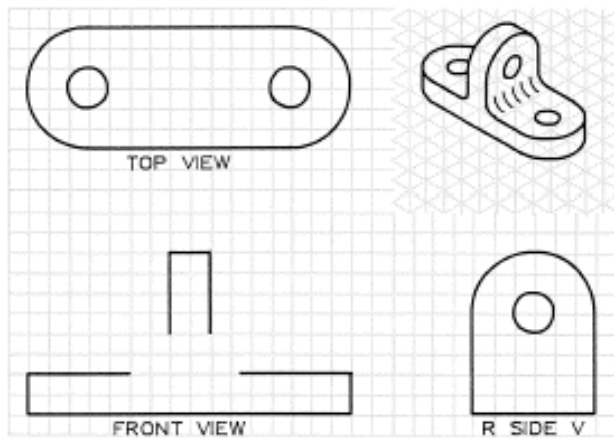
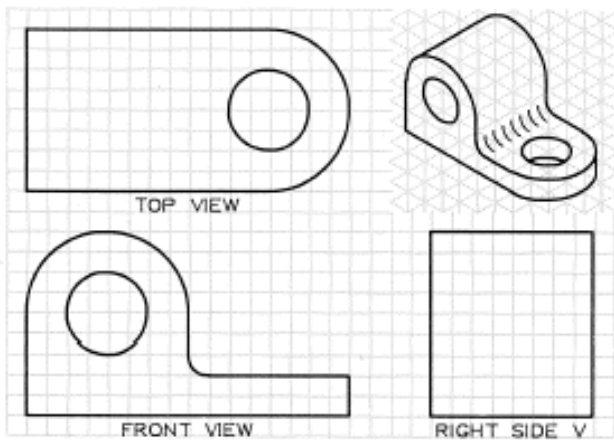


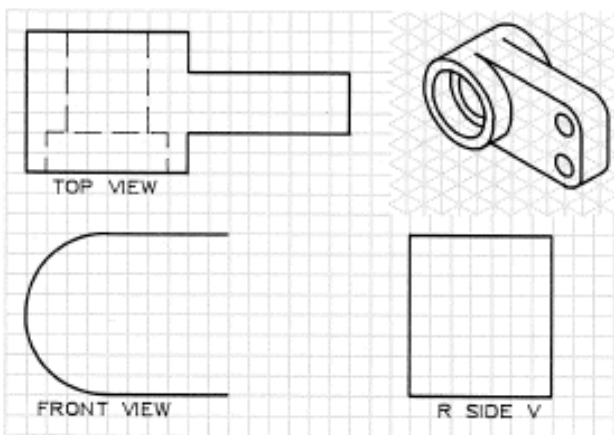
Figure 15.79 Problem 12. Lifting ring.



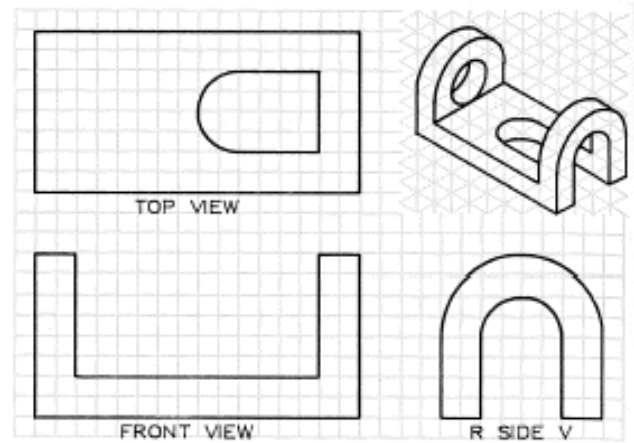
**Figure 15.80** Problem 13. Pivot piece.



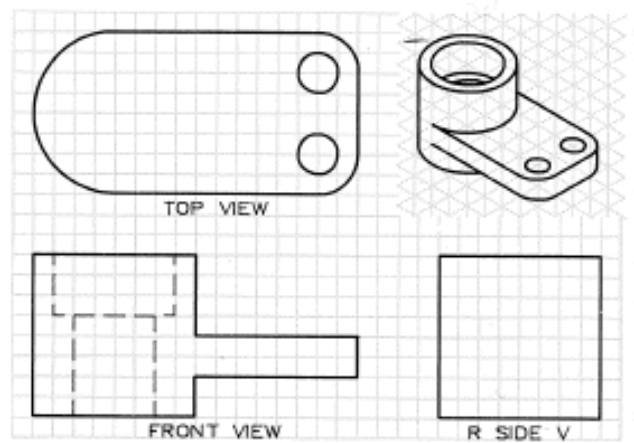
**Figure 15.81** Problem 14. Bushing.



**Figure 15.82** Problem 15. Journal.

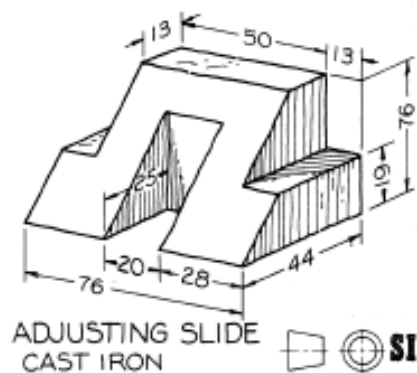


**Figure 15.83** Problem 16. End guide.



**Figure 15.84** Problem 17. Left journal.

18–48. (Figs. 15.85–15.115) Construct the necessary orthographic views to describe the objects in these figures. Draw the views on Size A or Size B sheets. Label the views and show the overall dimensions of  $W$ ,  $D$ , and  $H$ .



**Figure 15.85** Problem 18. Adjusting slide.

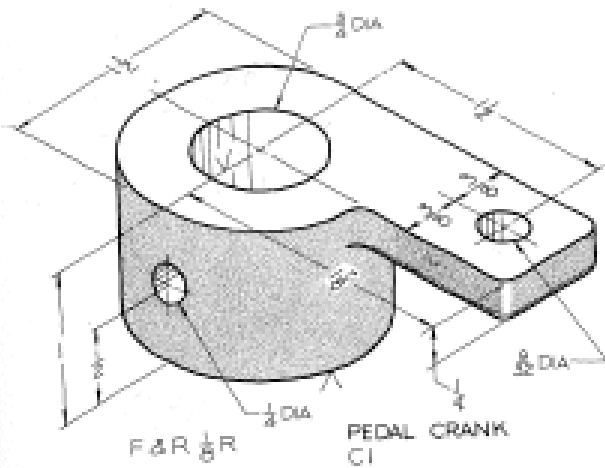


Figure 15.86 Problem 19. Pedal crank.

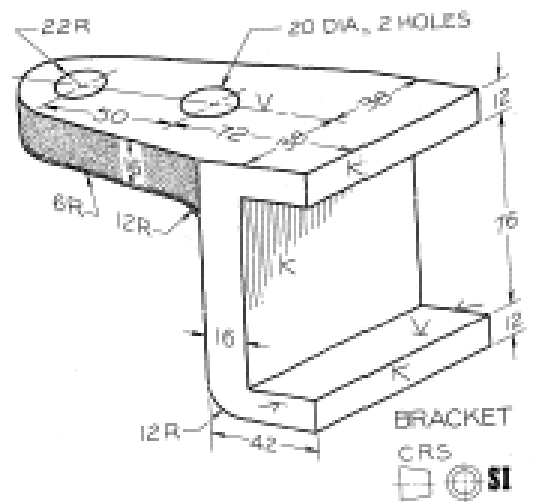


Figure 15.89 Problem 22. Bracket.

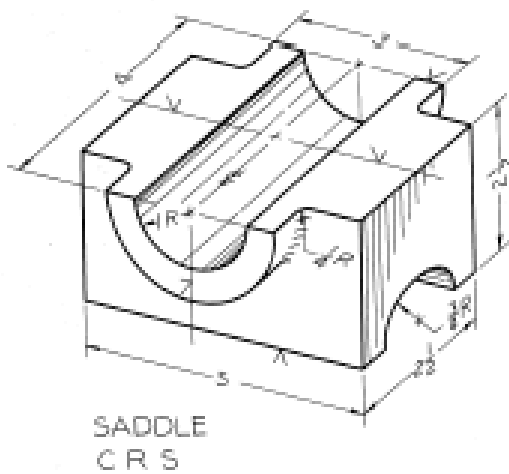


Figure 15.87 Problem 20. Saddle.

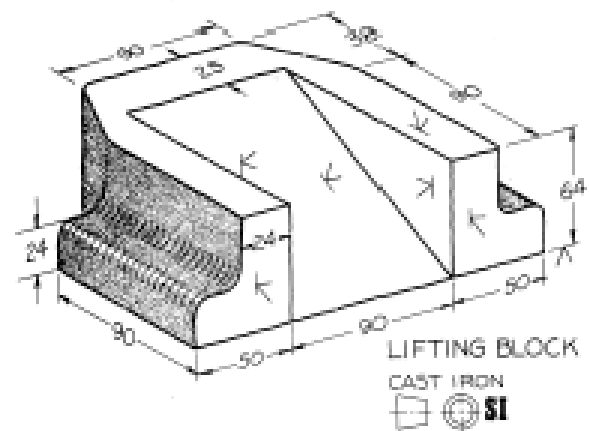


Figure 15.90 Problem 23. Lifting block.

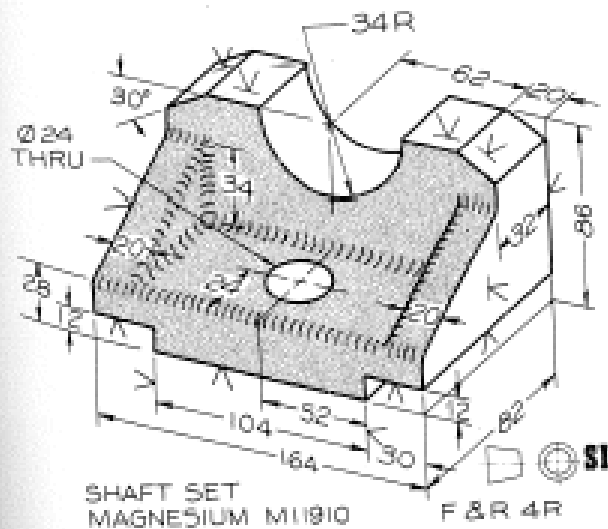


Figure 15.88 Problem 21. Shaft set.

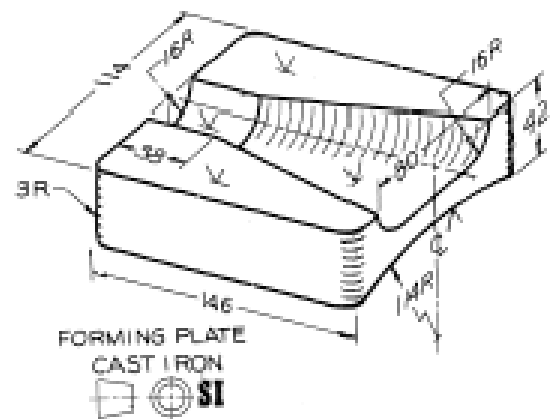


Figure 15.91 Problem 24. Forming plate.