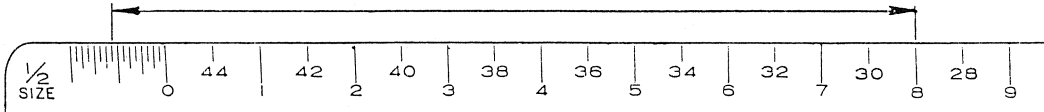
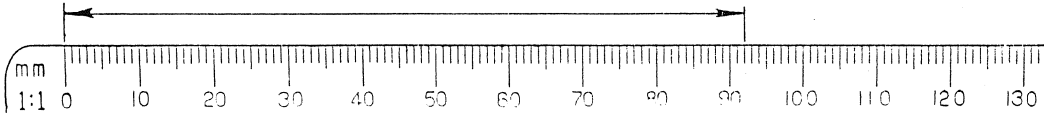
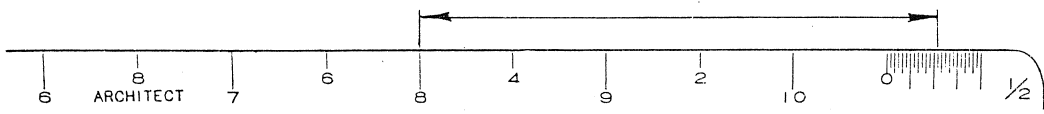
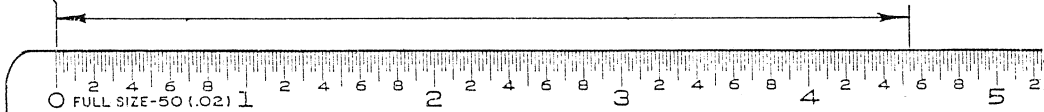


A. In the space at right, record the measures of the dimension lines.

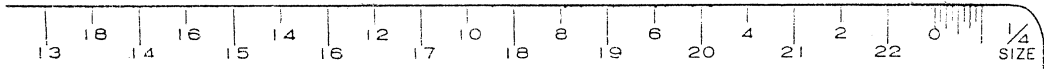
1.  _____

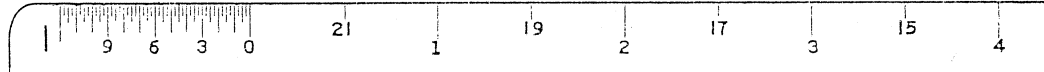
2.  _____

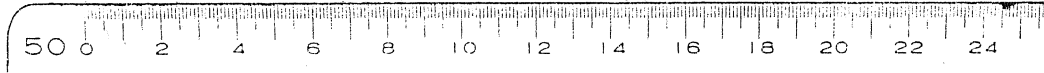
3.  _____

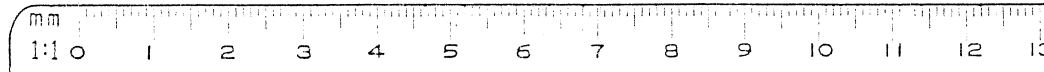
4.  _____

B. Add dimension lines to represent the measures that are given at the right.

5.  13 1/4 inches

6.  3' - 5 3/4"

7.  1440' @ 1" = 500'

8.  107 mm

C. Measure from the left end of the long line, and mark the distance with a sharp, dark, vertical line. Use the distance and scale given at the right of each line.

	Distance	Scale
9. 	16' 4"	1/4" = 1' 0"
10. 	11 5/8"	1/4 size
11. 	10 3/8"	3/8 size
12. 	205.5 ft	1" = 50' 0"
13. 	5 7/16"	3/4 size
14. 	2' 10 1/4"	1" = 1' 0"
15. 	7' 1 1/2"	1/2" = 1' 0"

COURSE _____
SECTION _____

USE OF SCALES

DRAWN BY _____
DATE _____